

ADDENDUM NO. 1 – RE-BID

SPRING CREEK SANITARY SEWER PROJECT

Springdale Water Utilities
Springdale, Arkansas
USI Project No. 1409041

The Contract Documents, Plans, and Specifications for the above entitled project are hereby changed or clarified in the following particulars:

SECTION SP –SPECIAL PROVISIONS

Special Provision 2 – Methods of Measurement and Payment

Bid Item 22 – 2-inch Combination Air & Vacuum Valve Assembly & Vault: Remove the words “hinged ductile iron manhole ring & lid” and replace with “watertight manhole ring and lid”. (see modification to T-19 below)

Bid Item 43 – Sewer Lift Station Demolition: Add the following sentence to the payment for sewer lift station demolition:

The lump sum price bid shall include five (5) additional watertight spare manhole covers (lids) to be delivered to SWU at their material storage facility.

SECTION TS –TECHNICAL SPECIFICATIONS

T19 CAST-IN-PLACE MANHOLES

Paragraph B.3 Manhole Rings and Lids: Replace section d. Locations where watertight manholes are required 1). with the following: East Jordan Product Number 0111822A01, 1120A, 1123Z, 1123G Assembly with a combined weight of 416 pounds and a minimum clear access opening of 20 inches.

PLANS

Sheet D-02 – Replace the detail for Watertight Manhole Frame and Cover with the attached detail.

GENERAL

Acknowledge receipt of this Addendum by signing in the space provided below and return the signed Addendum to USI Consulting Engineers, Inc. by facsimile transmission to (479) 872-7118 or by email to bids@usi-ce.com. Also acknowledge receipt of the Addendum in the space provided on page 4-1 of the BID.

September 8, 2016

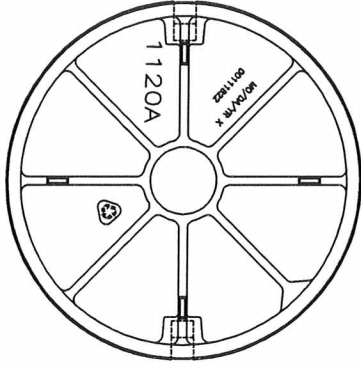
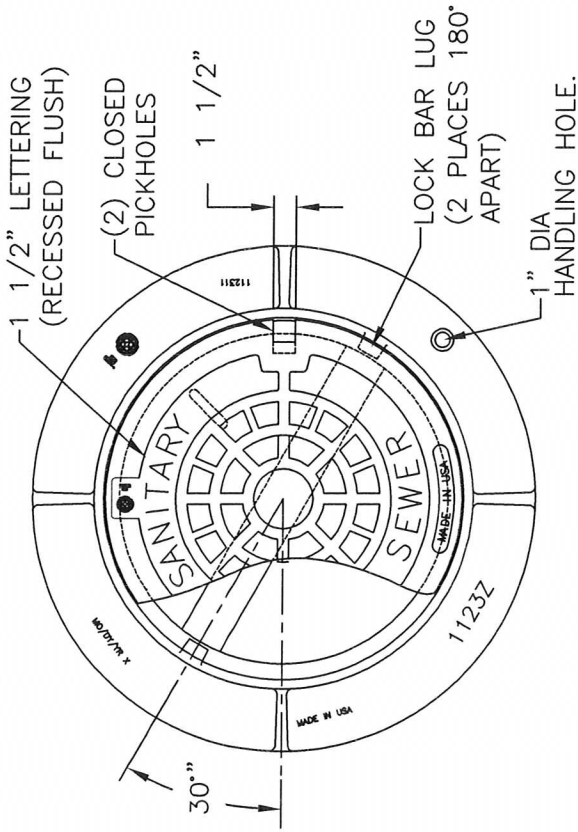
USI Consulting Engineers, Inc.
4847 Kaylee Avenue
Springdale, Arkansas 72762
(479) 872-7115 Telephone
(479) 872-7118 Facsimile
bids@usi-ce.com

Signature

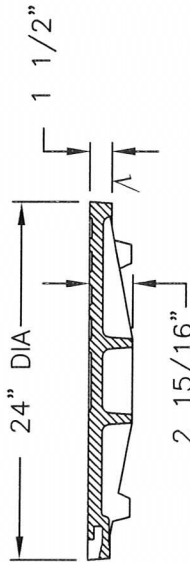
Print Name

Company Name

1120A 1123Z 1123G Assembly

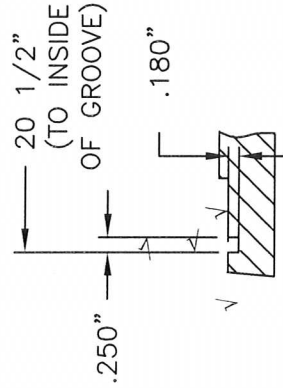
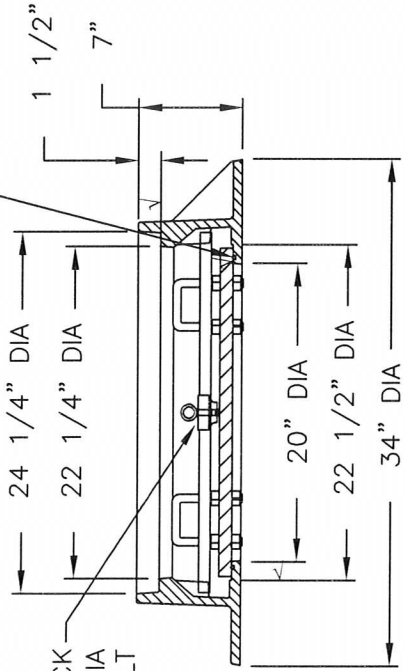


COVER BOTTOM

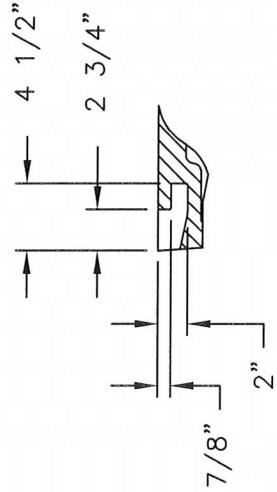


SECTION

1/4" DIA NEOPRENE GASKET



GROOVE DETAIL



PICKHOLE DETAIL

Product Number

0011822A01

Design Features

- Materials
Cover Gray Iron (CL35B)
Frame Gray Iron (CL35B)
Cover Gray Iron (CL35B)

- Design Load
Heavy Duty
- Open Area
n/a
- Coating
Undipped
- √ Designates Machined Surface

Certification

- ASTM A48
- Country of Origin: USA

Major Components

- 00118222
- 00112311
- 00112329

Drawing Revision

03/06/2008 Designer: GAD
04/05/2014 Revised By: DVD

Disclaimer

Weights (lbs./kg) dimensions (inches/mm) and drawings provided for your guidance. We reserve the right to modify specifications without prior notice.

CONFIDENTIAL: This drawing is the property of EJ GROUP, Inc., and embodies confidential information, registered marks, patents, trade secret information, and/or know how that is the property of EJ GROUP, Inc. All rights reserved.
Copyright © 2012 EJ GROUP, Inc.

Contact

800 626 4653
ejco.com